





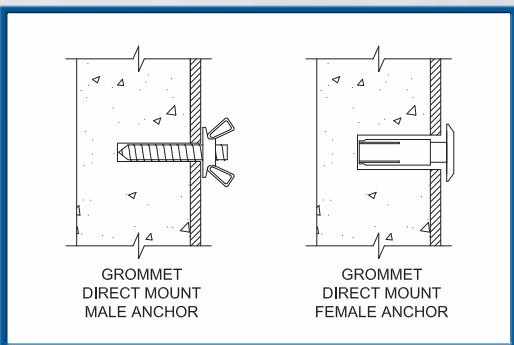
(877) BE-SAFER
P: (561) 841-8890
F: (561) 841-8892

WWW.ARMORSCREEN.COM

All Armor Screen Systems are Miami-Dade  and Florida Building Code Approved. Designed with PTFE Thread,  is Impervious to Ultra Violet Radiation.

Grommet System

- Transparent
- Easy to Install
- Lightweight
- Unbelievably Strong
- Most Economical Armor Screen System
- 18", 12", or 6" Anchor Spacing Available
- Tested to 165 PSF (Equivalent to 257 MPH)
- Rubber Spacers to Eliminate Anchor Vibration
- Zippers Available
- Can Be Combined with Other Armor Screen Systems



Why Armor Screen . . .



... It's Hurricane Protection That's Transparent, Easy To Install, Light Weight, And Unbelievably Strong.

